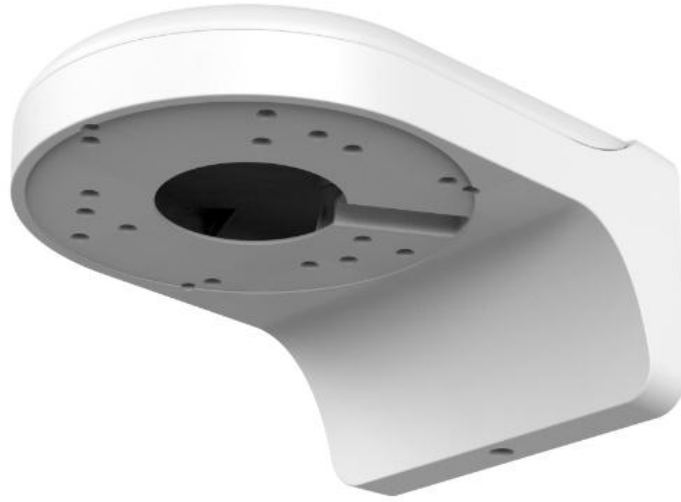


DH-PFB200W

Wall Mount Bracket



Features

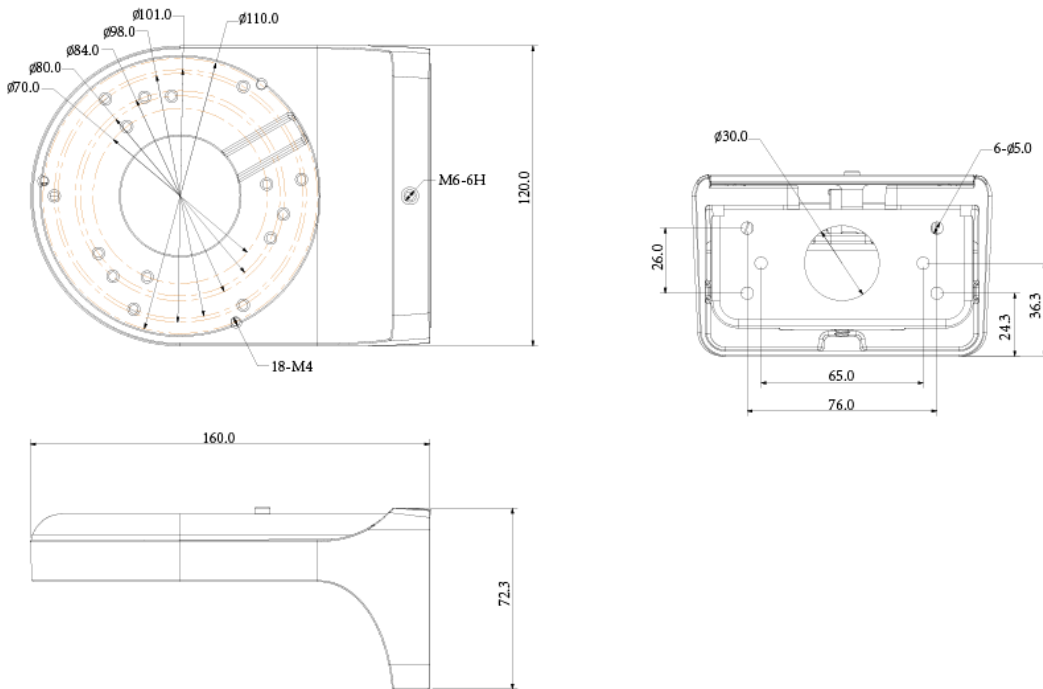
- Material: Aluminum & ABS
- Wall Mount Bracket
- Neat & Integrated design

Specifications

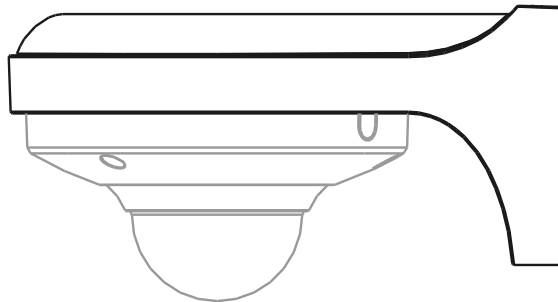
Model	DH-PFB200W
General	
Material	Aluminum & ABS
Dimension (W x H x D)	120mm x 74mm x 160mm
Pipe Thread	N/A
Operating Temperature	-40°C ~ 60°C
Humidity	0~90% RH
Load Bearing	1.0Kg
Weight	0.35kg

DH-PFB200W

Dimensions (mm)



Application



Dahua Technology Co., Ltd.

1187 BinAn Road, Binjiang District, Hangzhou, China

Tel: +86-571-87688883

Fax: +86-571-87688815

Email: overseas@dahuatech.com

www.dahuasecurity.com

*Design and specifications are subject to change without notice.

© 2013 Dahua Technology Co., Ltd.