

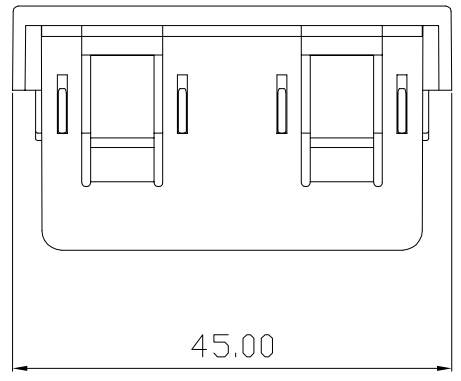
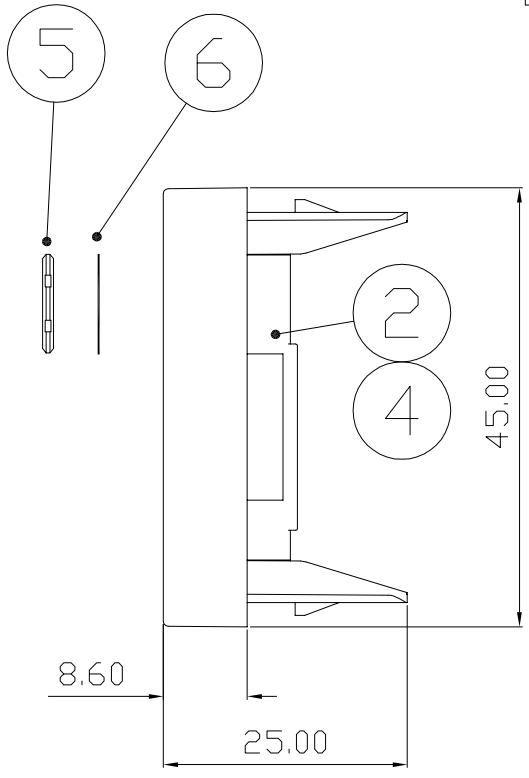
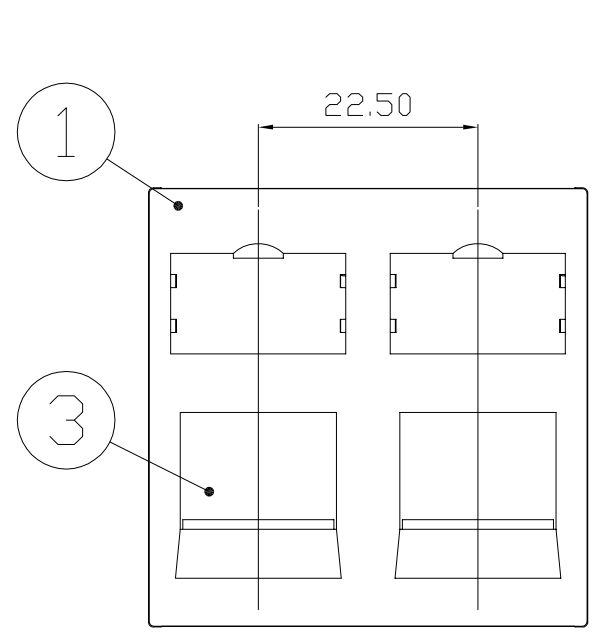
4

3

2

1

REVISIONS				
ZONE	REV	DESCRIPTION	DATE	DRAWN
	A	圖面繪製申請:SL17013	11/14'17	NICK



6	LABEL	Cat.5 & Cat.6 Printed. Attachment
5	WINDOW	PC 94V-0, CLEAR, Attachment
4	SPRING	SUP4, ø0.4mm
3	SHUTTER DOOR	ABS 94V-0
2	JACK BRACKET	PC 94V-0
1	2P BEZEL	PC 94V-0, POLISH SURFACE
NO.	PART NAME	Description

UNLESS OTHERWISE SPECIFIED: TOLERANCES			PROJECT ID 16H-45-03WT	
INCH	MM	ANGULAR	FILE	DATE
.X ± .016	.X ± 0.2	X ± 1°	Z4890.DWG	11/14'17
.XX ± .008	.XX ± 0.1	.X ± .5°	DRAWN	
.XXX ± .004			NICK	
MATERIAL			CHECK	
SURFACE			APPROVED	
FINISH				

EUROLAN

成品圖 FOR D341

SIZE	DRAWING NUMBER	PART NUMBER	REV
A4	Z4890		A
SCALE 1 : 1		UNIT mm	SHEET 1 OF 1

D
C
B
A