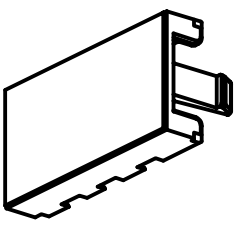
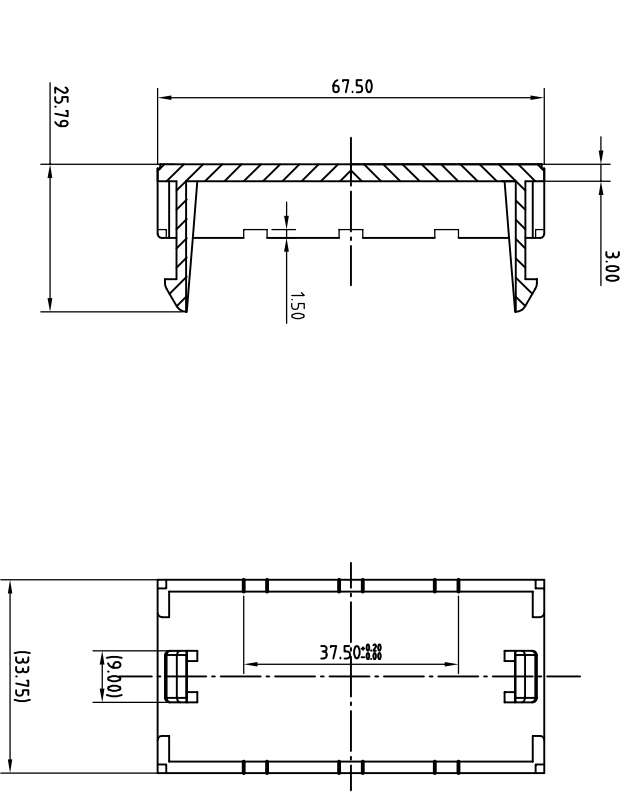


REVISIONS				
ZONE	REV	DESCRIPTION	DATE	DRAWN



BLANK

LP2363  
2051B-FBN-XXX



UNLESS OTHERWISE SPECIFIED:		PROJECT ID		DATE	
INCH	TOLERANCES	16A-00-00WT			
.X ± .016	MM	FILE			
.XX ± .008	ANGULAR	DRAWN			
.XXX ± .004	X ± .02	CHECK			
	X ± .5	APPROVED			
TITLE		SIZE		REV	
Blank Bezel 45X22.5		DRAWING NUMBER		PART NUMBER	
SCALE 1:1		UNIT mm		SHEET	

**EUROLAN**