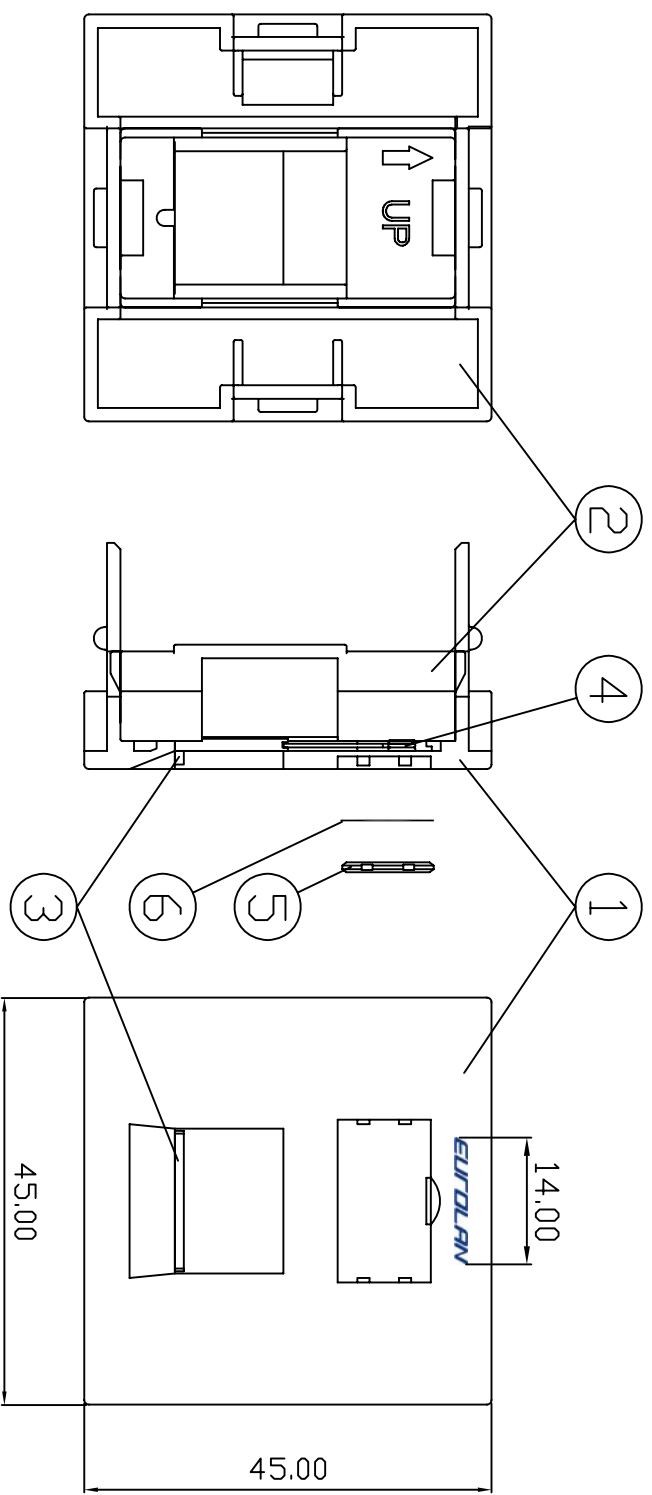


REVISIONS				
ZONE	REV	DESCRIPTION	DATE	DRAWN



NOTE:

1. PACKAGING:

- 1 PC / bag, 25 PCS / Eurolan box
- Eurolan box size: 212 X 124 X 80 mm
- 500 PCS / Eurolan carton
- Eurolan carton size: 515 X 503 X 230 mm

NO.	PART NAME	MATERIAL	Q'TY
6	LABEL (Attachment)	PAPER	1
5	WINDOW (Attachment)	PS 94V-0	1
4	SPRING	SUS304	1
3	SHUTTER DOOR	ABS 94V-0	1
2	JACK BRACKET	PC 94V-0	1
1	BEZEL(45X45)	PC 94V-0	1

UNLESS OTHERWISE SPECIFIED:		PROJECT ID	16B-45-01WT
INCH	TOLERANCES	FILE	DATE
.XX ± .016	MM	Winnie	
.XXX ± .008	ANGULAR	CHECK	
.XX ± .01	X ± 1°	APPROVED	
.X ± .5			

SIZE	DRAWING NUMBER	PART NUMBER	REV
A4			
SCALE	UNIT	SHEET	1 OF 1
1 : 1	mm		



1P Snap-in Bezel