

4

3

2

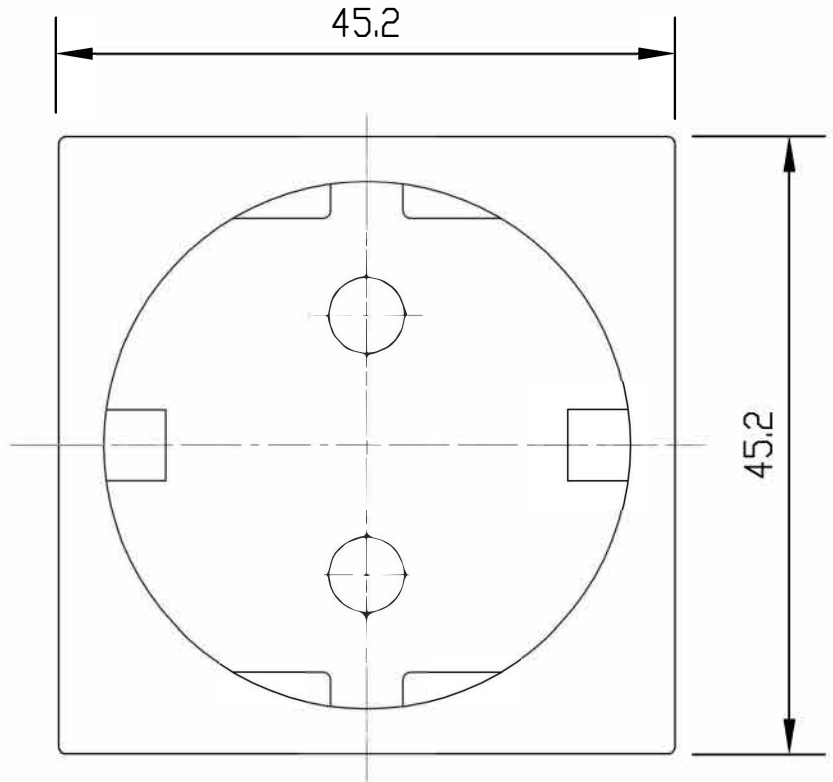
1

| REVISIONS | | | | |
|-----------|-----|-------------|------|-------|
| ZONE | REV | DESCRIPTION | DATE | DRAWN |
| | | | | |
| | | | | |

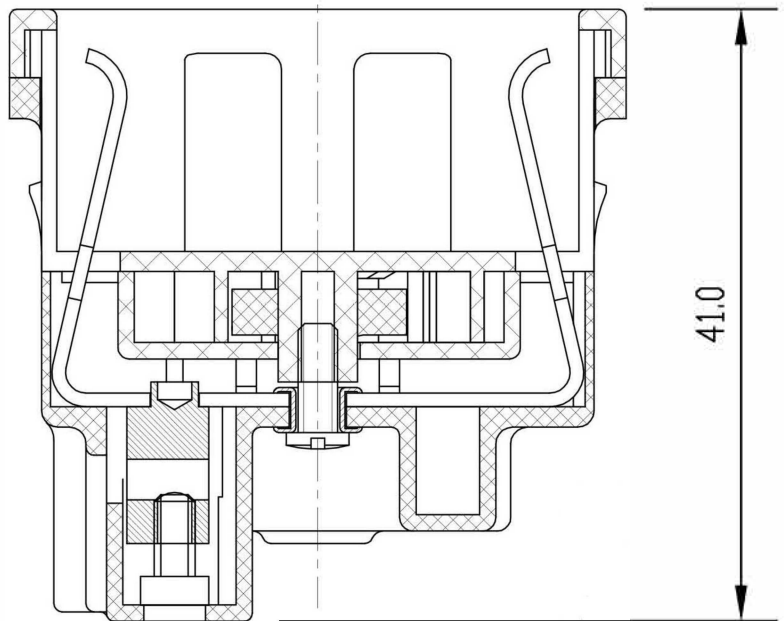
A

Eurolan
16V-10-01RD

Eurolan
16V-10-01WT



D



| | | | | | | | | | |
|---|-----------|----------|--|------|-------------------------------------|----------------|-------------|-----|-------|
| UNLESS OTHERWISE SPECIFIED: TOLERANCES | | | PROJECT ID 16V-10-01WT 16V-10-01RD | | EUROLAN | | | | |
| INCH | MM | ANGULAR | FILE | DATE | TITLE SCHUKO SOCKET 45X45(mm) | | | | |
| .X ± .016 | .X ± 0.2 | X ± 1° | | | SIZE | DRAWING NUMBER | PART NUMBER | REV | |
| .XX ± .008 | .XX ± 0.1 | .X ± .5° | | | | | | | |
| .XXX ± .004 | | | | | SCALE | 1 : 1 | UNIT | mm | SHEET |
| MATERIAL | | | DRAWN | | | | | | |
| SURFACE | | | CHECK | | | | | | |
| FINISH | | | APPROVED | | | | | | |