

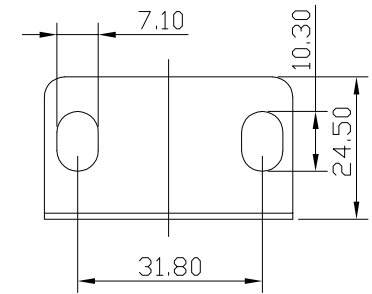
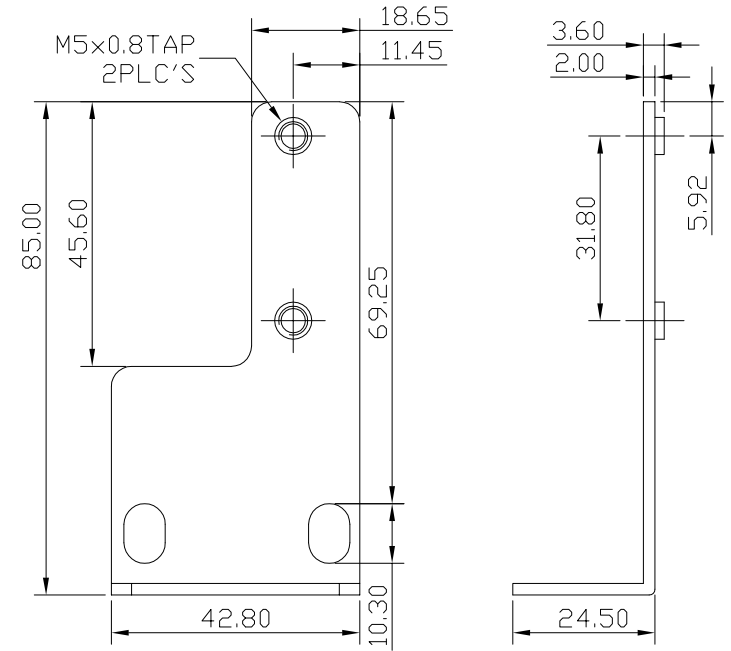
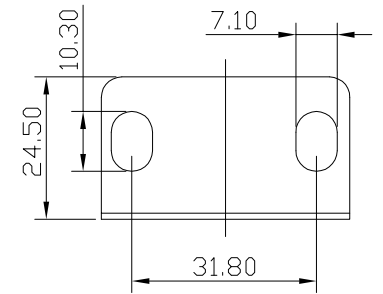
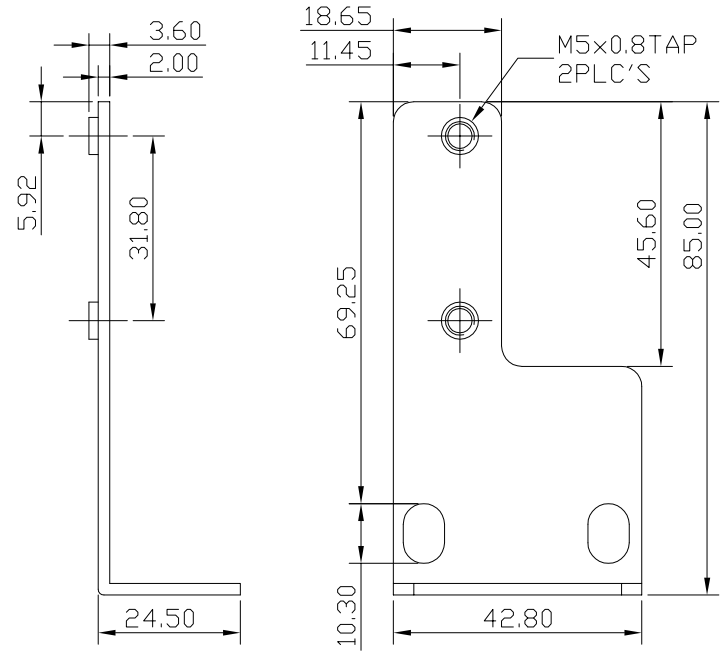
4

3

2

1

REVISIONS				
ZONE	REV	DESCRIPTION	DATE	DRAWN
	A	SL19008	04/18'19	JOY



UNLESS OTHERWISE SPECIFIED: TOLERANCES		PROJECT ID 27U-1U-01BL		EUROLAN	
INCH	MM	ANGULAR	FILE		
.X ± .016	.X ± 0.2	X ± 1'			
.XX ± .008	.XX ± 0.1	.X ± .5'			
.XXX ± .004					
MATERIAL	SPCC 2.0T	DRAWN	JOY	DATE	04/18'19
SURFACE		CHECK		SIZE	DRAWING NUMBER
FINISH		APPROVED		PART NUMBER	REV
					A
SCALE	None	UNIT	mm	SHEET	1 of 1

D
C
B
A