

10

9

8

7

6

5

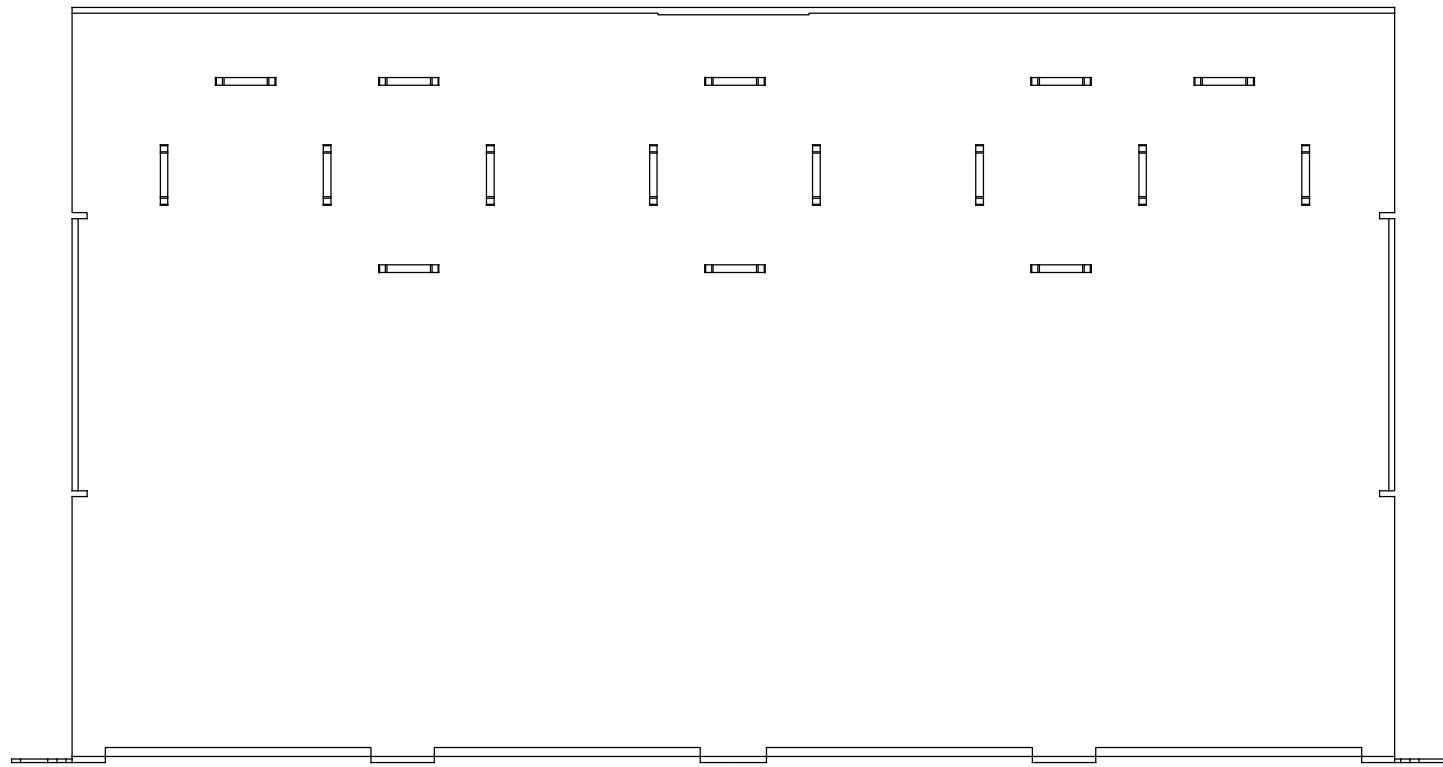
4

3

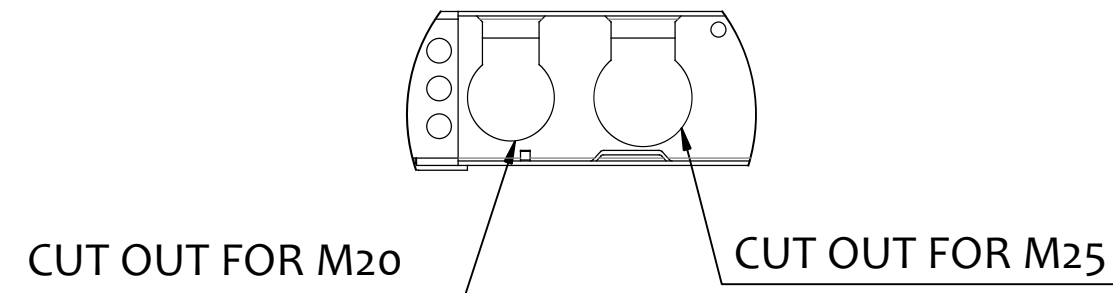
2

1

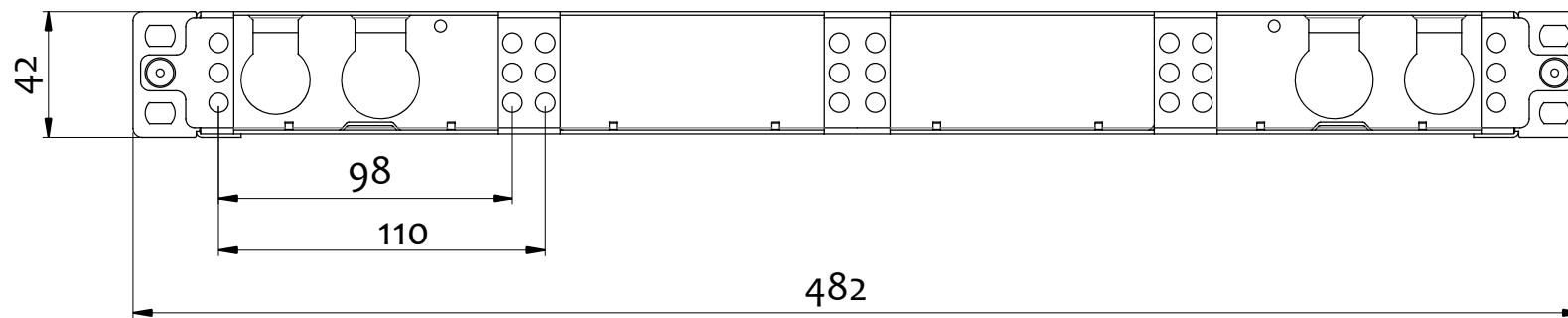
BOTTOM VIEW



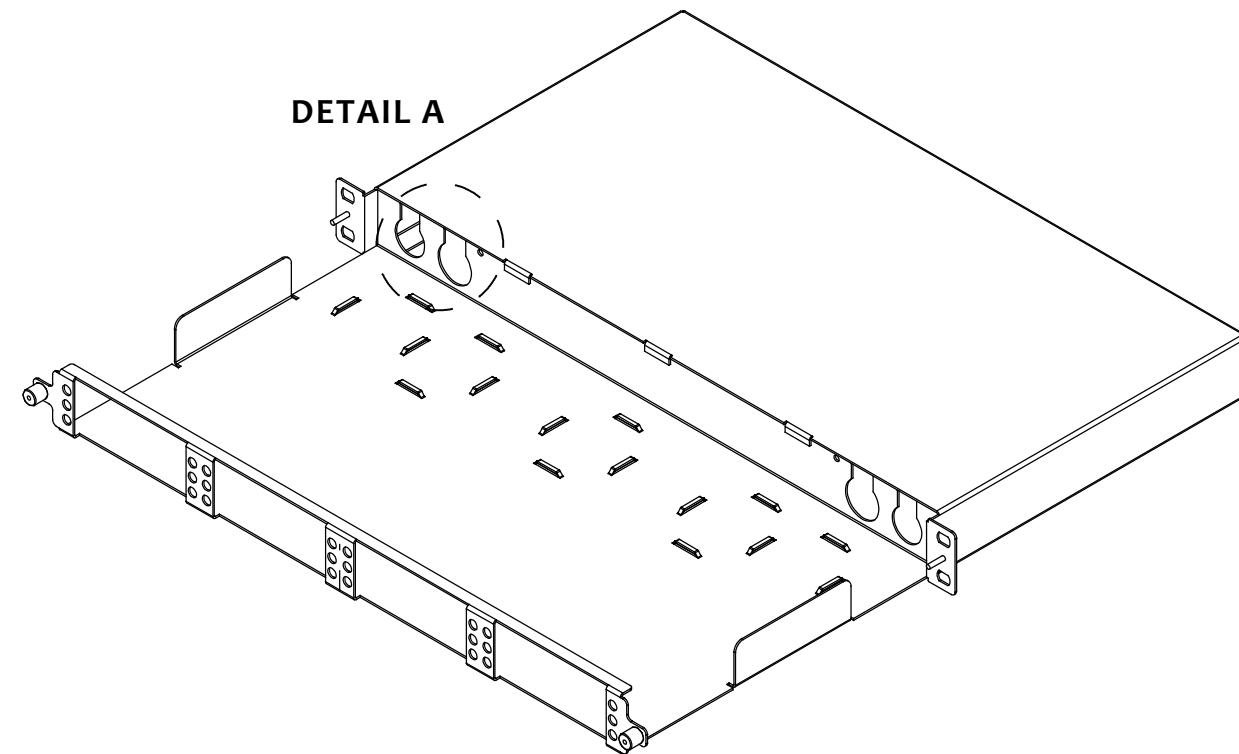
DETAIL A



FRONT VIEW



DETAIL A



BOM		
NO:	DESCRIPTION	QTY
1.	1U 19" patchpanel for 4 P&P cassettes sliding RAL9005	1

REVISION-DATE: A - 30.05.2016	CHANGE:	DRAWN BY, DATE:	TITLE:		
- created a new drawing		2016/05/30	1U 19" PANEL, 4 MODULE CAPACITY		
		CHECKED BY, DATE:	47M-20-00-01BL		
		2016/05/30	APPROVED BY, DATE:	PRODUCT SPECIFICATION:	DIMENSIONS IN MM UNLESS SPECIFIED
REVISION-DATE: B - 18.09.2019	CHANGE:	2016/05/30	Babaevskiy	ID 1133	SCALE: NO SCALE
- design change of the product					
- added detail A of holes for grommet					
REVISION-DATE: X - DD.MM.YYYY	CHANGE:	PRODUCT NUMBER:	DRAWING NUMBER:	SHEET NO.	SIZE
XXX		47M-20-00-01BL		1 of 1	A3
			THIS DRAWING CONTAINS INFORMATION THAT IS PROPRIETARY TO EUROLAN AND SHOULD NOT BE USED WITHOUT WRITTEN PERMISSION		

10

9

8

7

6

5

4

3

2

1