

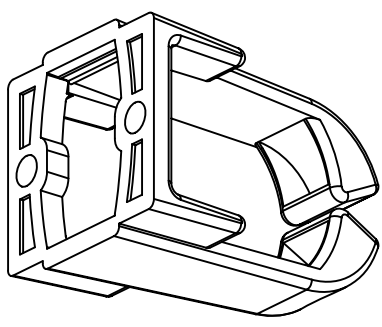
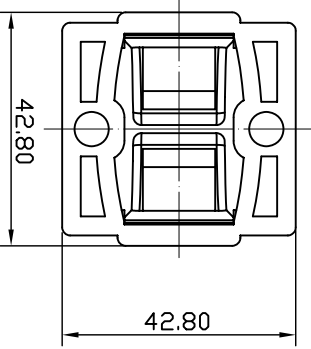
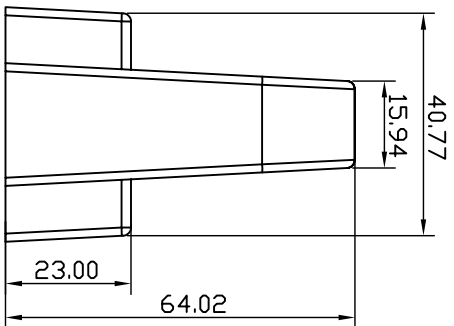
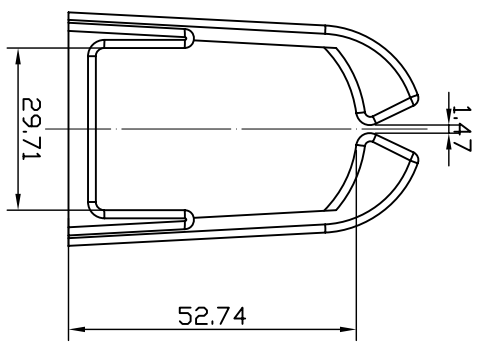
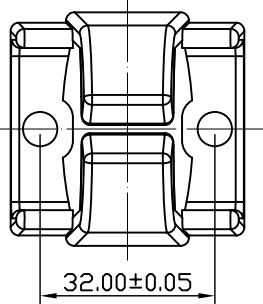
4

3

2

1

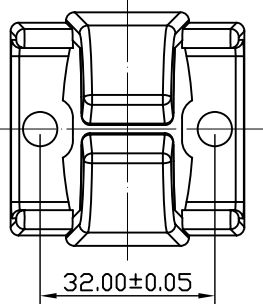
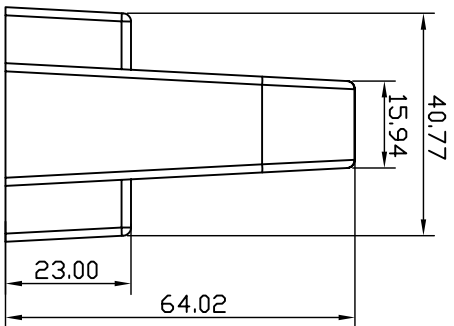
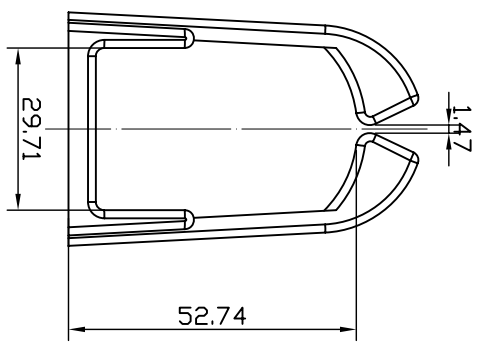
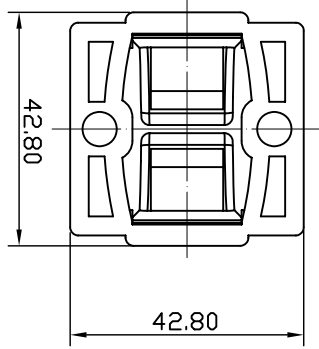
REVISIONS				
ZONE	REV	DESCRIPTION	DATE	DRAWN
	A			



**NOTES:**

1. MATERIAL: SPCC (t=1.50mm),  
CLIP: PC 94V-0
2. PACKAGING: 1 PC/bag, 25 PCS/Eurofan box  
Eurofan box size: 248X188X209 mm  
4 PCS Eurofan box/Eurofan carton  
Eurofan carton size: 515X394X230 mm

A B C D



UNLESS OTHERWISE SPECIFIED:		PROJECT ID	TITLE	
INCH	TOLERANCES	60A-19-02BL	<b>EUROLAN</b>	
.XX ± .016	MM	FILE	Hang Ring	
.XX ± .008	ANGULAR	DRAWN	Winnie	
.XX ± .004	X ± 1°	CHECK		
	X ± .5°	APPROVED		

SURFACE	CHECK	DATE	SCALE	DRAWING NUMBER	PART NUMBER	REV
FINISH	APPROVED		1 : 1			A
			UNIT			
			mm			
			SHEET			
			1 OF 1			