

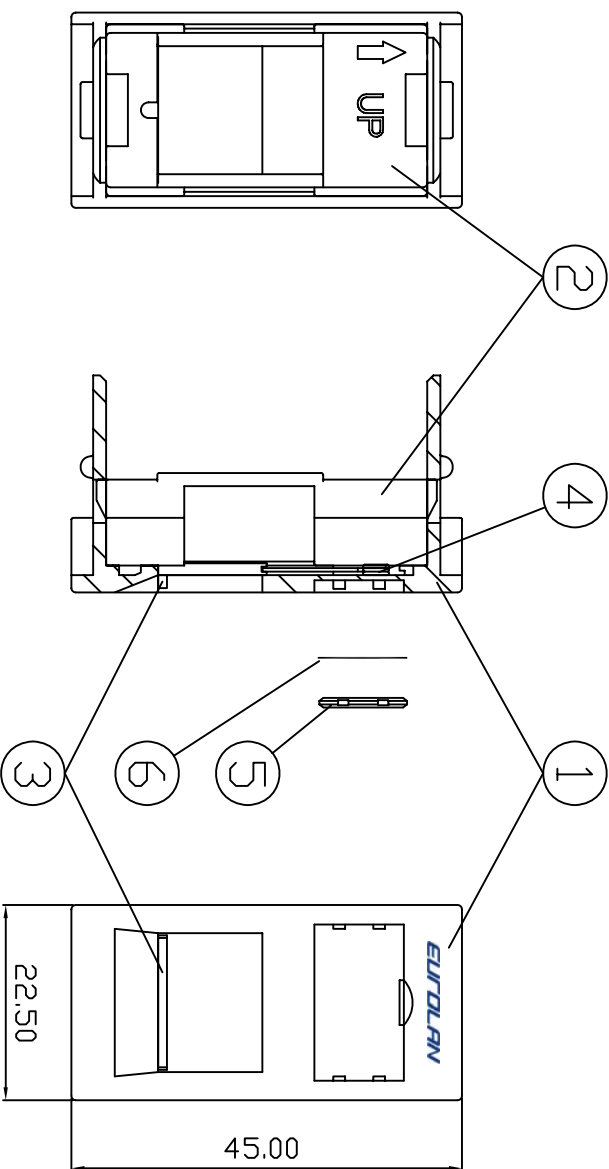
4

3

2

1

REVISIONS				
ZONE	REV	DESCRIPTION	DATE	DRAWN
	A			



6	LABEL (Attachment)	LH200505	1
5	WINDOW (Attachment)	LP1855	1
4	SPRING	LD000304	1
3	SHUTTER DOOR	LP1067	1
2	JACK BRACKET	LP1903	1
1	BEZEL (22.5X45)	LP1904	1
NO.	PART NAME	PART NUMBER	Q'TY

**EUTOLAN**

**1P Snap-in Bezel**

UNLESS OTHERWISE SPECIFIED:		PROJECT ID	TITLE	
TOLERANCES		16B-45-02WT	1P Snap-in Bezel	
INCH		FILE	DATE	SCALE
.XX ± .005		Winnie		A4
.X ± .01		CHECK		1 : 1
.X ± .1		APPROVED		UNIT
ANGULAR				MM
X ± 1°				SHEET
.X ± .5°				1 OF 1
FINISH				REV
SURFACE				A
MATERIAL				

NOTE:  
 1. PACKAGING: 1 PC/bag, 25 PCS/Euroalan box  
 Euroalan box size: 185X210X70 mm  
 14 PCS Euroalan box/Euroalan carton  
 Euroalan carton size: 515X394X230 mm