

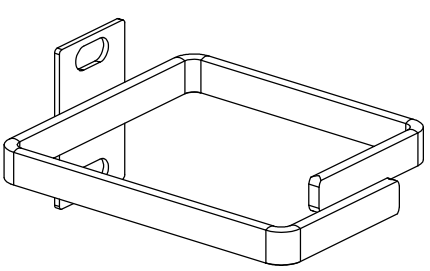
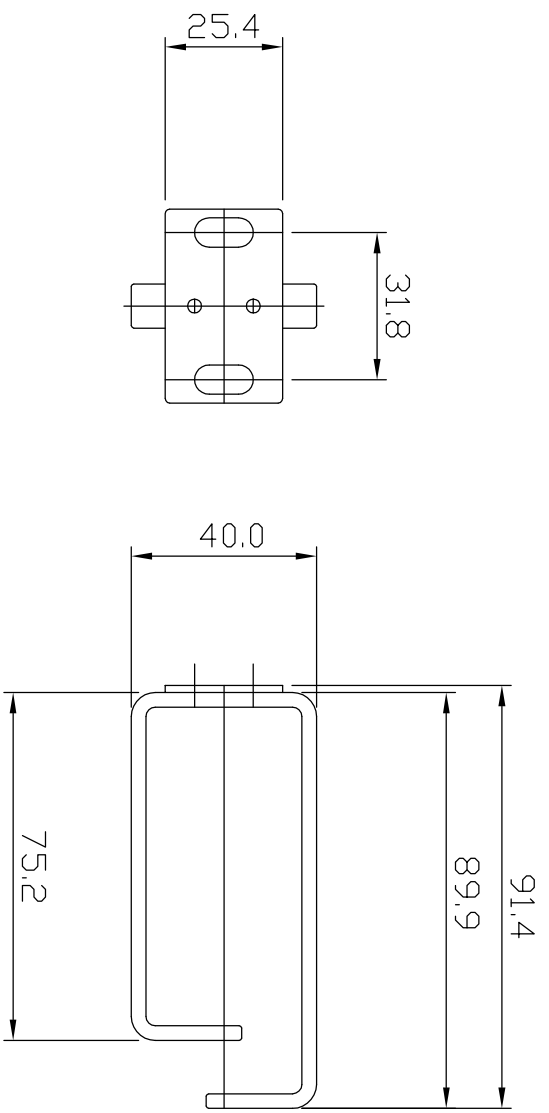
4

3

2

1

REVISIONS				
ZONE	REV	DESCRIPTION	DATE	DRAWN



NOTES:

1. MATERIAL: 16 GAUGE CRS(t=1.50mm), RING:1/8"X3/8" STRIP C.R.S
2. FINISH: BLACK POWDER COATED, CARDINAL FINISH, BREAK SHARP CORNERS AND EDGES.
3. 表面處理:平光霧面烤漆

UNLESS OTHERWISE SPECIFIED:		PROJECT ID		TITLE	
INCH	TOLERANCES	60A-19-52BL		EUTROLAN	
.XX ± .008	MM ± 0.2	FILE	DATE	Cable Ring	
.XXX ± .004	ANGULAR	DRAWN		SIZE	DRAWING NUMBER
	XX ± .5	CHECK		PART NUMBER	REV
	XX ± .5	APPROVED		SCALE	1 : 1
				UNIT	MM
				SHEET	