

# DHI-ITC237-PW6M-LZF1050(Project only)

2MP Long Range Access ANPR Camera



- CMOS image sensor
- Video compression standards: H.265/H.264M/H.264H/H.264B/MJPEG
- Integrated design, and IP67, IK10 protection grade

## System Overview

The long range access ANPR camera is designed with high-performance CMOS image sensor and independently-developed processor, capable of reading and extracting detailed vehicle information day and night. Intelligent deep learning algorithm allows recognition of vehicle license plate, and vehicle brand, model, logo, and color. The camera is extensively applied to vehicle capture and recognition of community road, parking lot, and other entrance and exit surveillance scenarios.

## Functions

### High-quality image

Industry-specific CMOS image sensor with high sensitivity, high SNR and excellent WDR provides lifelike images in all weathers.

### Complete intelligence

High-performance CPU processor helps extract and analyze information of motor and non-motor vehicles in real-time, providing vehicle feature details for business decision-making.

### High-level protection

Integrated design with low power consumption, and IP67 protection grade, suitable for various harsh environments.

## Multiple ports

Various signal, data and communication ports, capable of connecting to external devices such as barrier.

## Easy installation

Built-in LED illuminator and motorized vari-focal lens, providing ease of installation and commissioning.

## Technical Specification

### Image Processing

Illuminator	6 white light illuminators (brightness adjustable)
Image Sensor	1/1.8" CMOS
Image Resolution	1920 × 1080 (OSD black strip excluded)
Video Resolution	Main stream: 1080P (1920 × 1080) / 720P (1280 × 720) Sub stream: 720P (1280 × 720) / D1 (704 × 576, 704 × 480) / CIF (352 × 288, 352 × 240)
Video Frame Rate	PAL: Main stream (1920 × 1080@25fps, 1280 × 720@25fps), sub stream: (1280 × 720@25fps, 704 × 576@25fps, 352 × 288@25fps) NTSC: Main stream (1920 × 1080@30fps, 1280 × 720@30fps), sub stream (1280 × 720@30fps, 704 × 408@30fps, 352 × 240@30fps)
Bit Rate	H.264B: 32Kbps–32768Kbps H.264M: 32Kbps–32768Kbps H.264H: 32Kbps–32768Kbps H.265: 32Kbps–32768Kbps MJPEG: 512Kbps–65536Kbps
Video Encoding	H.264B/H.264M/H.264H/H.265/MJPEG
Image Encoding	JPEG
Noise Reduction	3DNR
White Balance	Full auto; auto color temperature range; customized color temperature
Electronic Shutter	1/50–1/10000, auto or manual
Wide Dynamic Range	96db
Edge Enhancement	Yes
Exposure Mode	Full auto; customized auto; customized
Iris	Auto iris (W:1.3–T:2.3)

### Function

Trigger Mode	Video detection; I/O coil; video detection and I/O coil
Shutter	Single shutter
Storage	1 built-in TF card port. Kingston 16G, 32G and 64G; Dahua 16G, 32G and 64G; SanDisk 16G, 32G and 64G
Image Tampering Prevention	Yes. Video/picture can be checked through watermark and verification
Max Illumination Distance	30 m (98.43 ft)
Capture Range	8 m–30 m (26.25 ft–98.43 ft)
Detected Lane Width	6 m–7 m (19.69 ft–22.97 ft)
Min Ambient Illuminance	0.002 Lux. Illuminator is designed with the camera for illumination
Max Speed that the Camera Detects	120 km/h
Alarm Event	Alarm in the case of no storage card, not enough storage space, storage card error, network disconnection, IP conflict, and illegal access
Security Mode	Authorized username and password, MAC address binding, HTTPS encryption, IEEE 802.1x, and network access control

OSD Overlay	Supports overlay of time, address (position of channel), lane (number/direction), plate (number and color), vehicle (speed, color, type)
ANR (Automatic Network Replenishment)	Yes. Platform/FTP
Auto Register	Yes

### Intelligence

Vehicle Detection	Vehicle capture rate ≥99%
Vehicle Recognition	Supports recognizing vehicle type, vehicle logo, vehicle color, license plate, and vehicle without plate. Vehicle recognition rate ≥95%
Video Metadata	Yes
Intelligent Track Frame	Intelligent frame display. Supports displaying vehicle plate and vehicle path

### Ports

Lens	Lens in the camera module
Analog Output	1
Ethernet Port	1 100/1000M Ethernet port (RJ45)
RS-485 Port	2
RS-232 port	1
Alarm Input	3, optocoupler input (switch quantity)
Alarm Output	3 ports. 2-channel optocoupler output, 1-channel relay output, which can connect to devices such as barriers
Audio Input	1-channel RCA port
Audio Output	1-channel RCA port

### General

Power Supply	12V DC, 24V AC, PoE+
Power Consumption	< 20W
Working Temperature	–30°C to +65°C (–22°F to +149 °F)
Working Humidity	10%–90% (no condensation)
Housing	Metal and plastic
Protection Grade	IP67, IK10
Dimensions (L×W×H)	370.4mm×124.7mm×105.7mm (14.58"×4.91"×4.16")
Net Weight	1.7kg (3.75lb)
Gross Weight	2.5kg (5.51lb)
Installation	Universal joint installation
Lens	10mm–50mm (0.39"–1.97")

### Certification

CE, FCC	Yes
RoHS	Yes

## Ordering Information

Type	Part Number	Description
2MP Camera	DHI-ITC237-PW6M-LZF1050	2MP long range access ANPR camera (850nm built-in white light illuminator)
Bracket	PFA162	3-dimensional universal mounting bracket

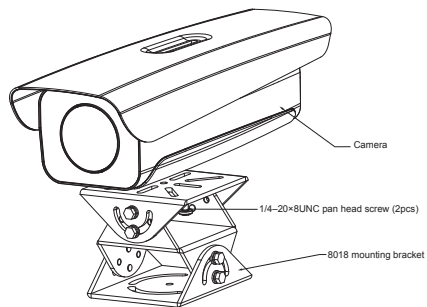
## Accessories

### Optional:



PFA162  
3-dimensional universal  
mounting bracket

## Installation



## Dimensions (mm[inch])

