

DH-PFB120WS

Wall Mount Bracket



Features

- Aesthetic design
- Wall mount bracket
- Material: aluminum

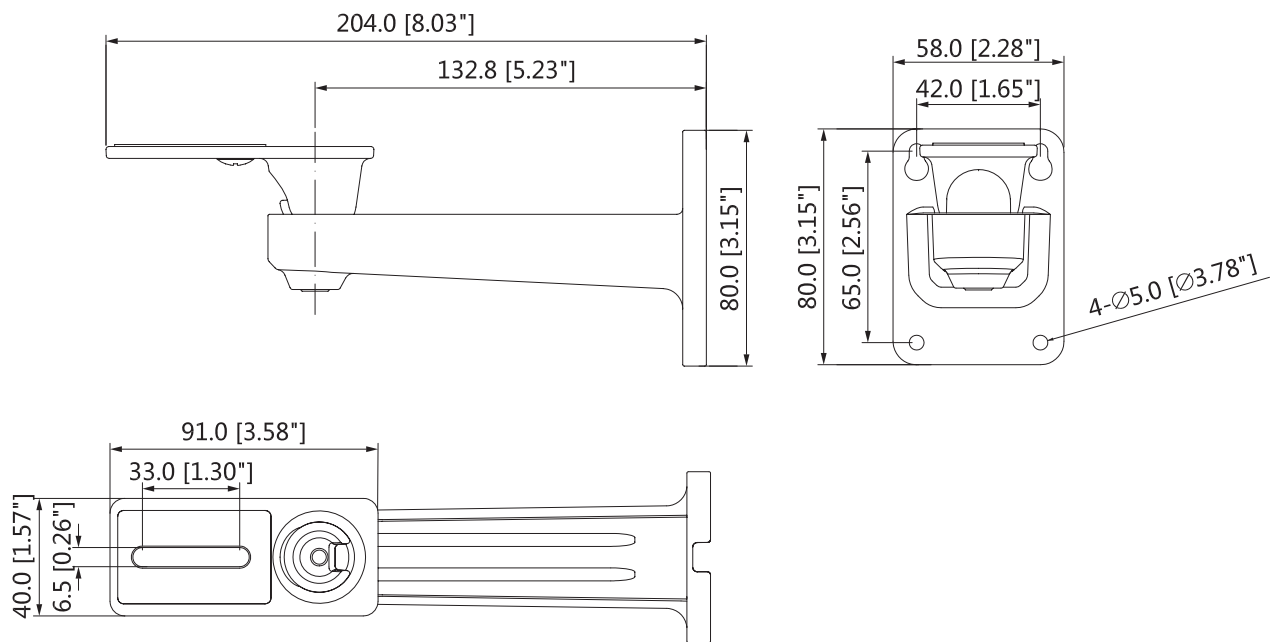
Technical Specification

Model	DH-PFA120WS
General	
Material	Aluminum
Dimension(WxHxD)	58mmx80mmx204mm (2.28"x3.15"x8.03")
Weight	0.2kg(0.44lb)
Load Bearing	1kg(2.2lb)
Color	White
Operating Temperature	-40 °C ~+60 °C (-40 °F ~+140 °F)
Humidity	0~90% RH
Installation	Wall mount
Applicable Model	Please see "Accessory Selector" on www.dahuasecurity.com

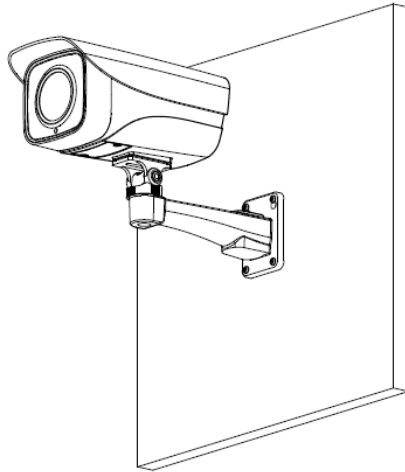
Ordering Information

Type	Part Number	Description
Camera Mount Series	DH-PFB120WS	Wall mount bracket
	PFA120WS	Wall mount bracket

Dimension(mm/inch)



Application



Package Information

Pole mount

- Wall mount bracket *1
- 1/4-20-8UNC *1
- ST4 screw *3
- Plastic anchor *4
- Wrench *1